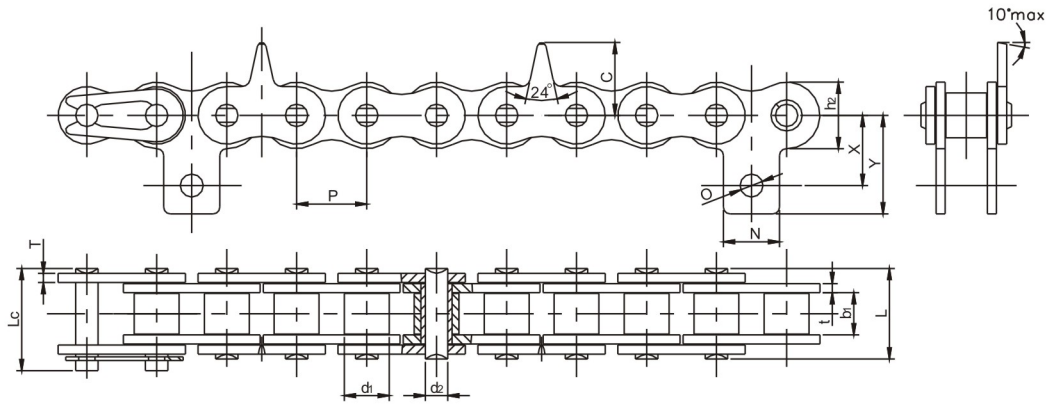
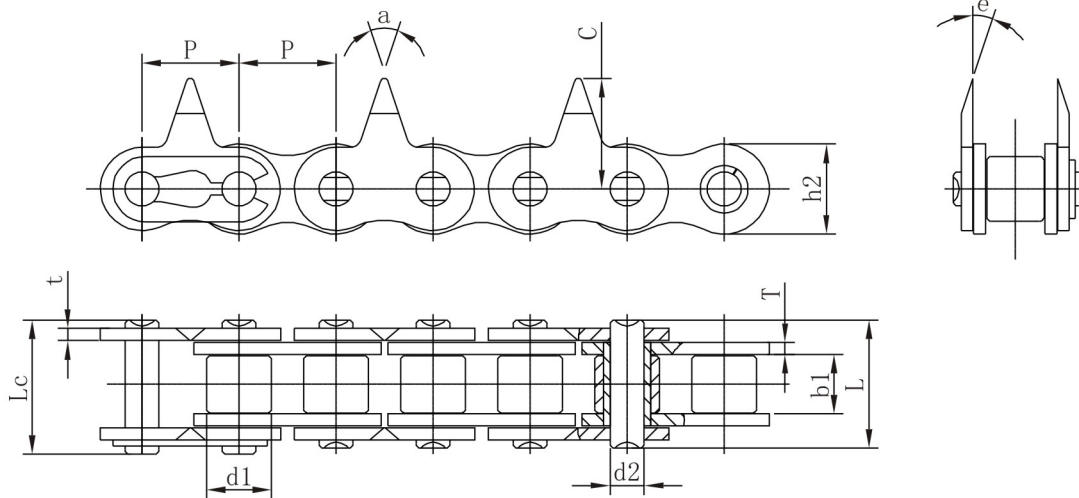


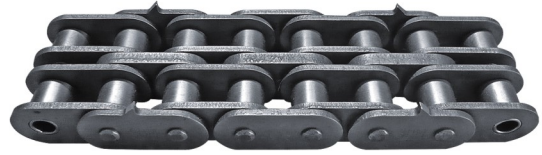
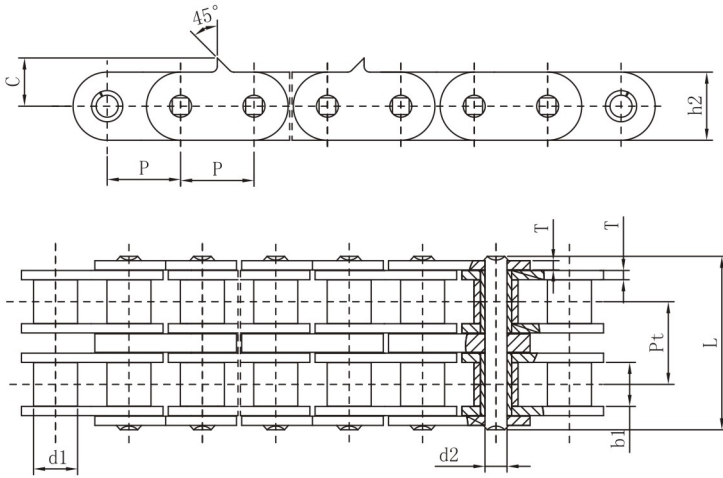
环球 尖齿链  
UNIVERSAL TECHNOLOGY Sharptop chains



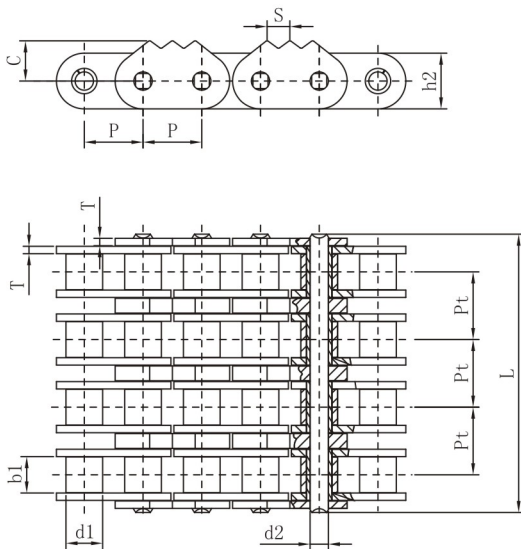
环球链号 Universal Chain No.	节距 Pitch  P	滚子直径 Roller diameter  d1 max	内节内宽 Width between inner plates  b1 min	销轴直径 Pin diameter  d2 max	销轴长度 Pin length		尺寸参数表 Dimension chart					内链板高度 L <sub>inner</sub> plate depth  h2 max	链板厚度 Plate thickness  t/T	抗拉强度 Ultimate tensile strength  Q min	每米重量 Weight per meter  q ≈ kg/m
					L max	Lc max	C	X	Y	O	N				
					mm	mm	mm	mm	mm	mm	mm				
C50	15.875	10.16	9.40	5.08	20.5	23.15	16.51	15.9	22.3	5.2	12.7	15.09	2.06	21.8	1.36



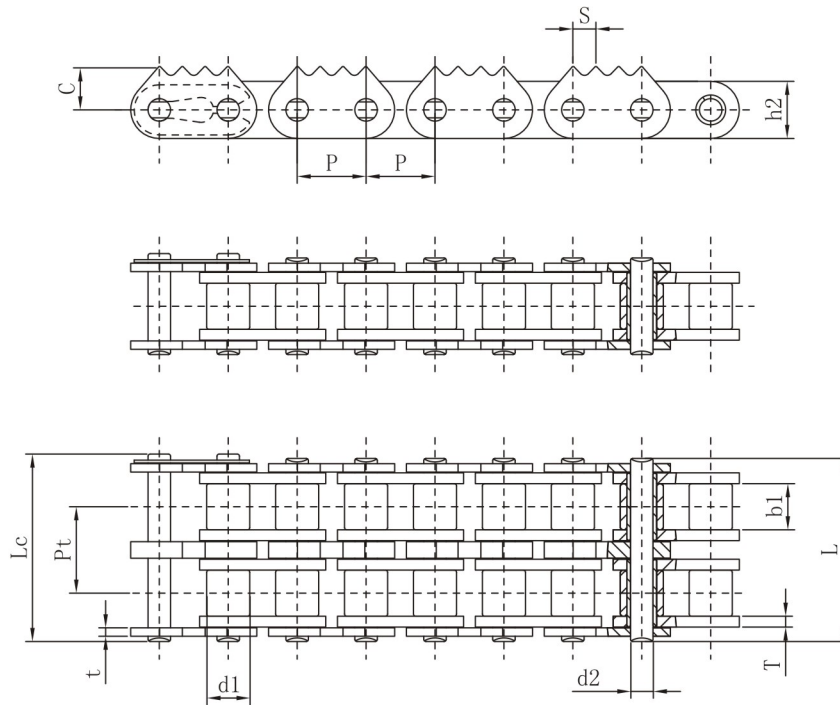
环球链号 Universal Chain No.	节距 Pitch  P	滚子直径 Roller diameter  d1 max	内节内宽 Width between inner plates  b1 min	销轴直径 Pin diameter  d2 max	销轴长度 Pin length		附件尺寸 Attachment dimension			内链板高度 L <sub>inner</sub> plate depth  h2 max	链板厚度 Plate thickness  t/T	抗拉强度 Ultimate tensile strength  Q min
					L max	Lc max	a	C	e			
					mm	mm	mm	mm	mm			
08BSS-2LSTD	12.7	8.51	7.8	4.45	16.95	18.9	37°	14.5	15°	11.8	1.7/1.5	12



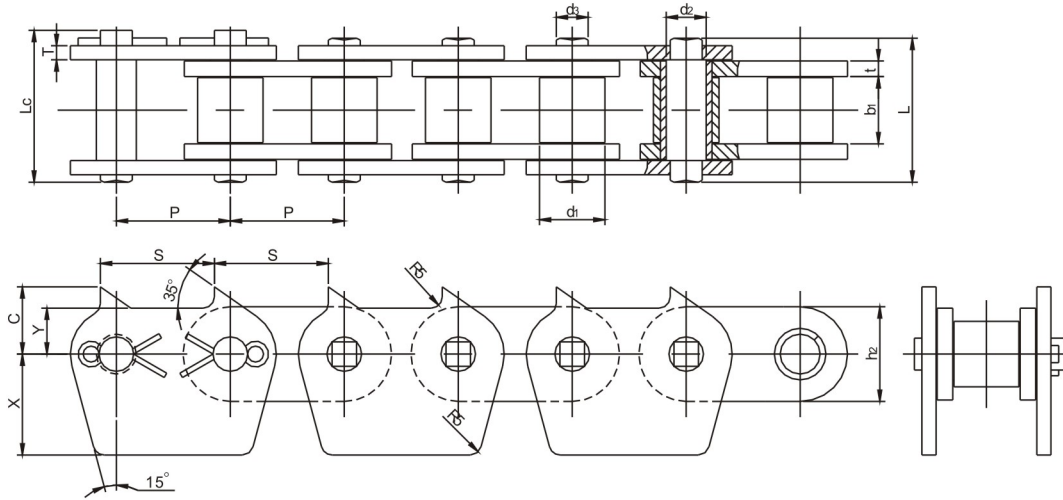
环球链号 Universal Chain No.	节距 Pitch	尺寸参数表 Dimension chart								抗拉强度 Ultimate tensile strength	每米重量 Weight per meter	
		P	d1 max	b1 min	h2	T	d2 max	Pt	C	L	Q min	q ≈
		mm	mm	mm	mm	mm	mm	mm	mm	mm	kN	kg/m
C100-2-4LSTD	31.75	19.05	18.9	29.62	4	9.54	35.76	20.88	75.01	173.5	9.38	



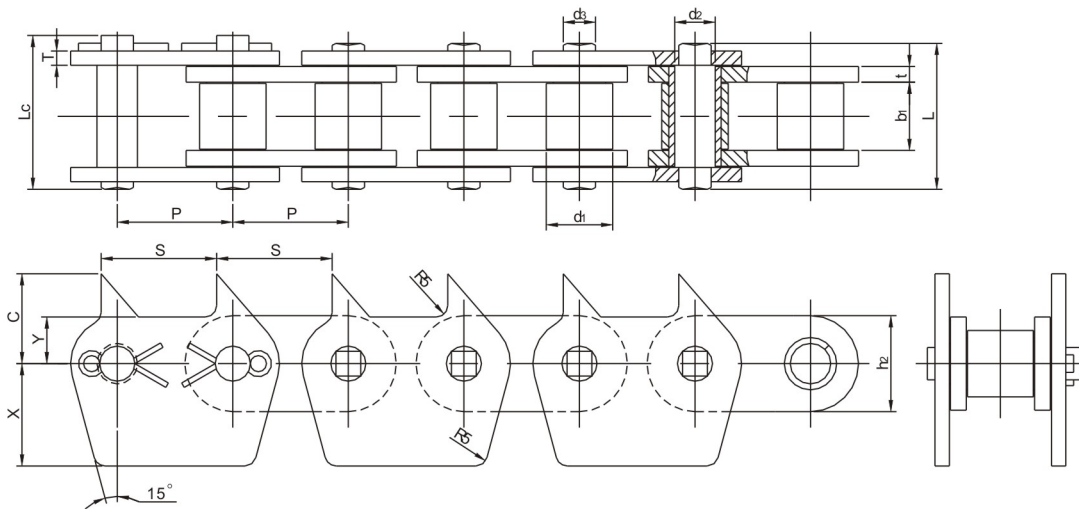
环球链号 Universal Chain No.	节距 Pitch	尺寸参数表 Dimension chart									抗拉强度 Ultimate tensile strength	每米重量 Weight per meter	
		P	d1 max	b1 min	h2	T	d2 max	Pt	C	L	S	Q min	q ≈
		mm	mm	mm	mm	mm	mm	mm	mm	mm	mm	kN	kg/m
C80-4-2LSTD	25.4	15.88	15.75	23.97	3.2	7.92	29.29	17.4	120.24	9.85	222.4	12.89	



环球链号 Universal Chain No.	节距 Pitch P	尺寸参数表 Dimension chart										抗拉强度 Ultimate tensile strength	每米重量 Weight per meter
		d <sub>1</sub> max	b <sub>1</sub> min	h <sub>2</sub>	t/T	d <sub>2</sub> max	Pt	C	L	Lc	S	Q min	q ≈
		mm	mm	mm	mm	mm	mm	mm	mm	mm	mm	mm	kN
C16B-1-2LSTD-4	25.4	15.88	17.02	21.08	3.1/4	8.28	/	16.0	35.65	37.27	8.4	60	3.17
C16B-2-2LSTD-4	25.4	15.88	17.02	21.08	3.1/4	8.28	31.88	16.0	67.55	69.15	8.4	60	7.4



环球链号 Universal Chain No.	节距 Pitch P	滚子直径 Roller diameter d <sub>1</sub> max	内节内宽 Width between inner plates b <sub>1</sub> min	销轴直径 Pin diameter d <sub>2</sub> max	销轴长度 Pin length		尺寸参数表 Dimension chart					内链板高度 L <sub>inner</sub> plate depth h <sub>2</sub> max	链板厚度 Plate thickness t/T	抗拉强度 Ultimate tensile strength Q min	每米重量 Weight per meter q ≈
					L max	L <sub>c</sub> max	C	X	Y	S	d <sub>3</sub>				
					mm	mm	mm	mm	mm	mm	mm				
32BJ2a	50.8	29.21	30.99	17.81	64.2	67.7	30	45	20.5	50.8	15.42	42.2	6.96/6.30	280	12.02



环球链号 Universal Chain No.	节距 Pitch P	滚子直径 Roller diameter d <sub>1</sub> max	内节内宽 Width between inner plates b <sub>1</sub> min	销轴直径 Pin diameter d <sub>2</sub> max	销轴长度 Pin length		尺寸参数表 Dimension chart					内链板高度 L <sub>inner</sub> plate depth h <sub>2</sub> max	链板厚度 Plate thickness t/T	抗拉强度 Ultimate tensile strength Q min	每米重量 Weight per meter q ≈
					L max	L <sub>c</sub> max	C	X	Y	S	d <sub>3</sub>				
					mm	mm	mm	mm	mm	mm	mm				
32BJ2b	50.8	29.21	30.99	17.81	64.2	67.7	39.52	45	20.5	50.8	15.42	42.2	6.96/6.30	280	12.03